



# H450 Series 3 1/4" Frame Depth Fixed (Picture Window)

## H450 SERIES FIXED (PICTURE WINDOW)

### FEATURES

- ◇ Commercial Framing System
  - 3 1/4" main frame
  - Historically-correct bevel frame exterior
  - Minimum of 0.080" wall thickness, 0.70 on TDL
  - Available with or without integral nailing fin
- ◇ Thermally Enhanced Design
  - Thermally-broken main frame and vent rails
  - Azon pour and debridge thermal break technology
- ◇ Glazing
  - 1" insulating glass

### BENEFITS

- ◇ Historically accurate profiles to help your project meet Historic Preservation codes
- ◇ The capacity to match exterior colors for unique project facades
- ◇ The ability to facilitate large sizes for taller and wider window openings

### OPTIONS

- ◇ Available Configurations
  - Fixed
  - Continuous frame capabilities
- ◇ Muntin Choices
  - Internal or simulated divided lites available
- ◇ Floating Operator Available Configurations
  - Multiple configurations of Fixed and Operating units with up to 5 units wide or 5 units tall, all within a continuous frame (*limitations apply*)
- ◇ Glazing
  - Multiple Low-E and argon glazing choices
  - Capillary tubes
  - Wide variety of glazing, tinting and thickness options
- ◇ Panning & Trim Choices
  - Wide variety of panning, receptor and trim available
- ◇ Mulling
  - Wide variety of structural mulls

### PERFORMANCE

- ◇ Structural & Thermal (test reports or thermal simulations available upon request)

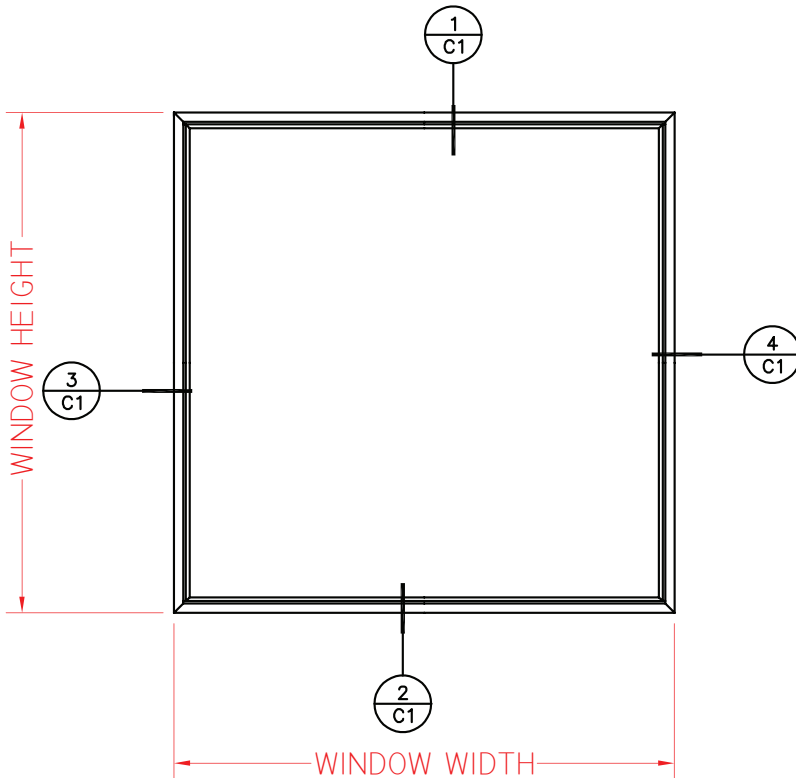
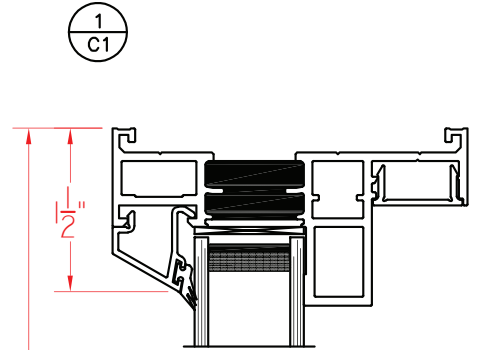
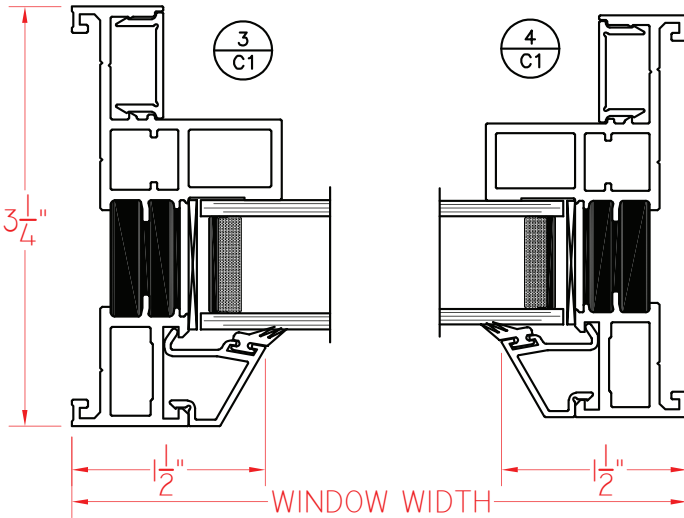
Model	Fixed (Picture Window)
Test Size:	60" x 99"
NAFS Rating	Up to AW100
Air at 50 MPH (cfm/ft <sup>2</sup> )	<0.10
Water (No Penetration) P.S.F.	Up to 15
U-Value (ranges based on multiple Low-E/Argon combinations)	0.23-0.46
SHGC (ranges based on multiple Low-E/Argon combinations)	0.16-0.25
CR	Up to 69

Our products are tested to the standards of and certified by some of the foremost organizations in the fenestration industry.

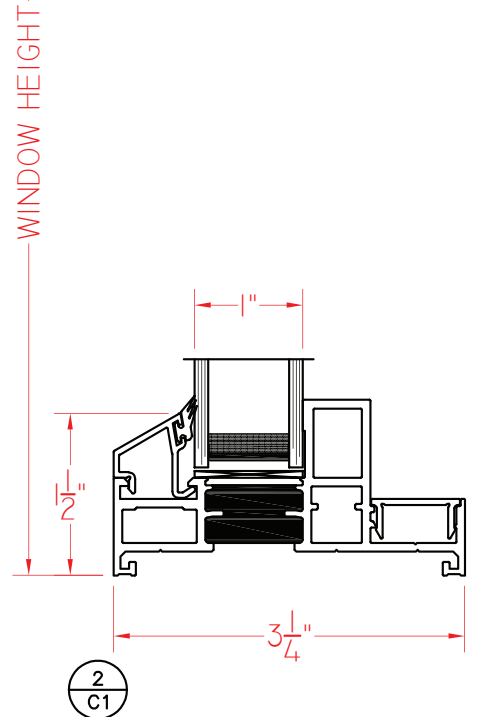


**H450 SERIES FIXED WITHOUT NAIL FIN**

This document contains confidential and proprietary information intended for the private use of Quaker.  
© 2020 Quaker Window Products Co., INC. All rights reserved.  
Quaker reserves the right to change any/all designs without notice. Due to periodic re-certification requirements, result shown may vary.



ELEVATION SCALE 3/4" = 1'-0"



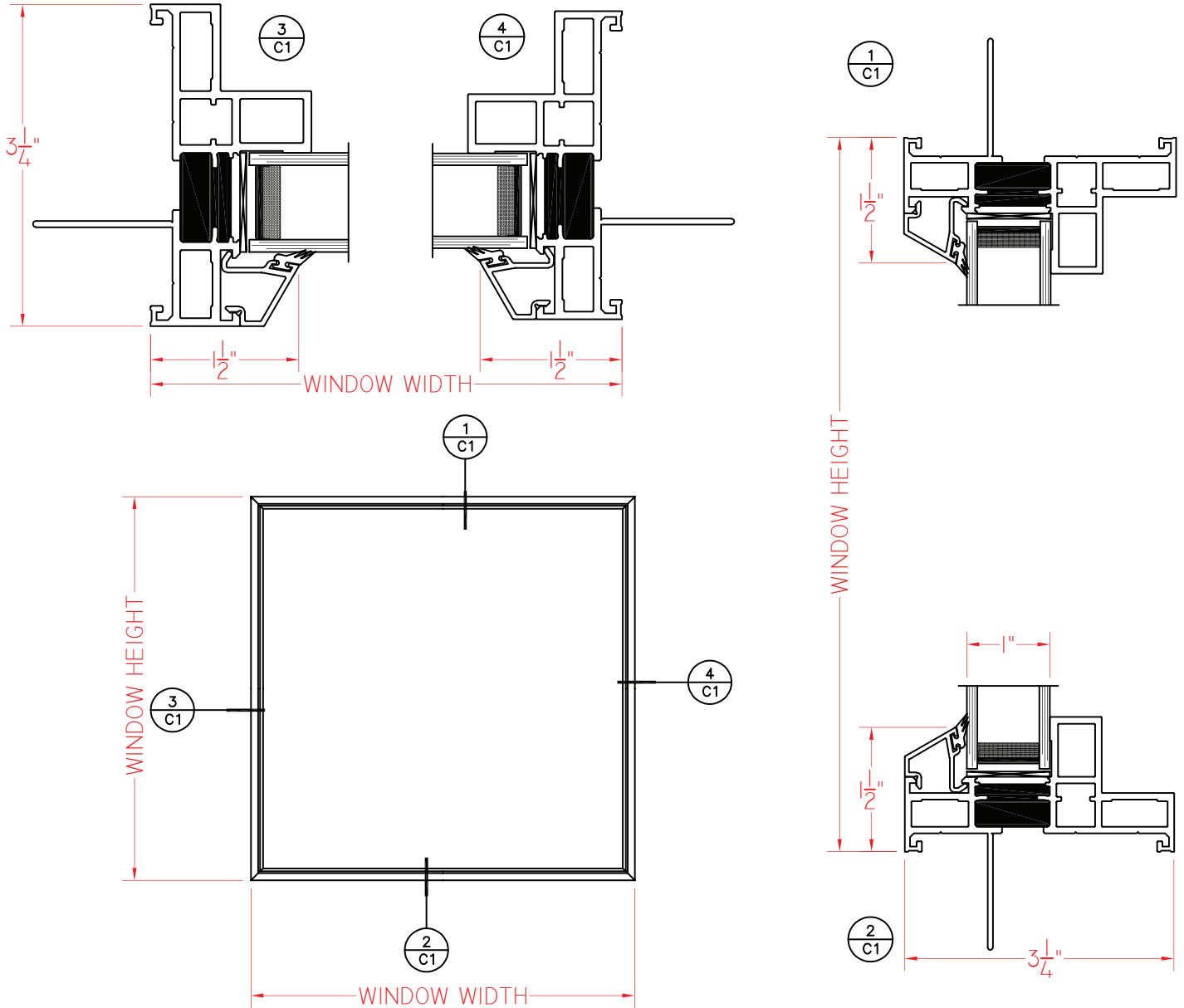
Our products are tested to the standards of and certified by some of the foremost organizations in the fenestration industry.



SHEET C1  
SCALE 1:2

**H450 SERIES FIXED WITH NAIL FIN**

This document contains confidential and proprietary information intended for the private use of Quaker.  
© 2020 Quaker Window Products Co., INC. All rights reserved.  
Quaker reserves the right to change any/all designs without notice. Due to periodic re-certification requirements, result shown may vary.



SHEET C1  
SCALE 1:2

Our products are tested to the standards of and certified by some of the foremost organizations in the fenestration industry.



# H450 FLOATING VENT (FIXED/PROJECT-OUT)

This document contains confidential and proprietary information intended for the private use of Quaker.  
© 2020 Quaker Window Products Co., INC. All rights reserved.  
Quaker reserves the right to change any/all designs without notice. Due to periodic re-certification requirements, result shown may vary.

